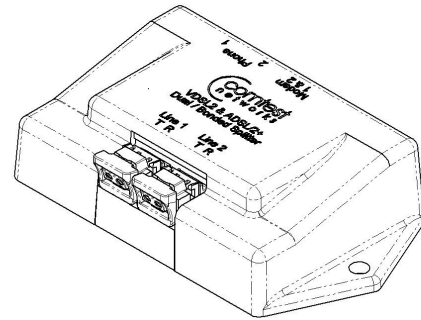


Installation Guidelines

The CPE-FB has five connection ports:

- **Modem** - ADSL / VDSL2 bonded modem.
- **Line 1** - POTS + Bonded xDSL pair 1 from CO.
- **Phone 1** - Filtered POTS from LINE 1
- **Line 2** - Bonded xDSL pair 2 from CO.
- **Phone 2** - Optional filtered POTS from LINE 2



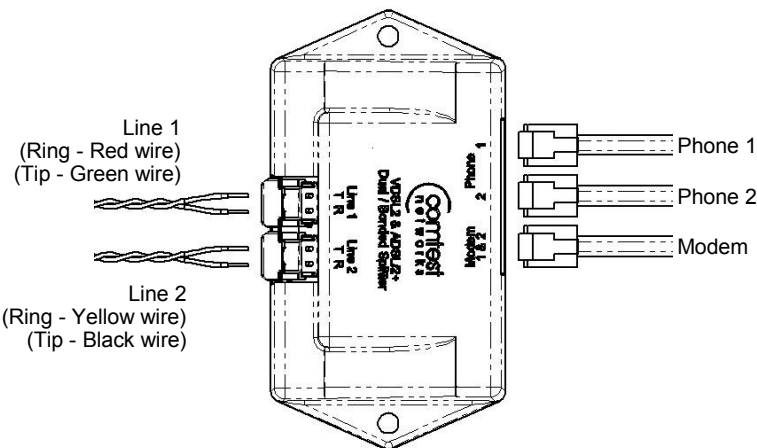
Copyright © 2015, Comtest Networks Inc.

⚠ To reduce the risk of fire, use only **No. 26 AWG** or thicker gauge telecommunication line cord/cable.

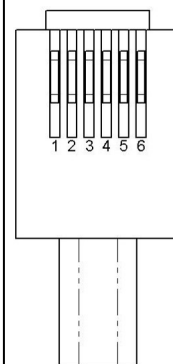
⚠ Insulation displacement connectors [IDC].
Do not strip wires

⚠ If the pair of wires have been previously used, remove used wire section before inserting into the IDC connectors on the CPE-FB.

Wiring

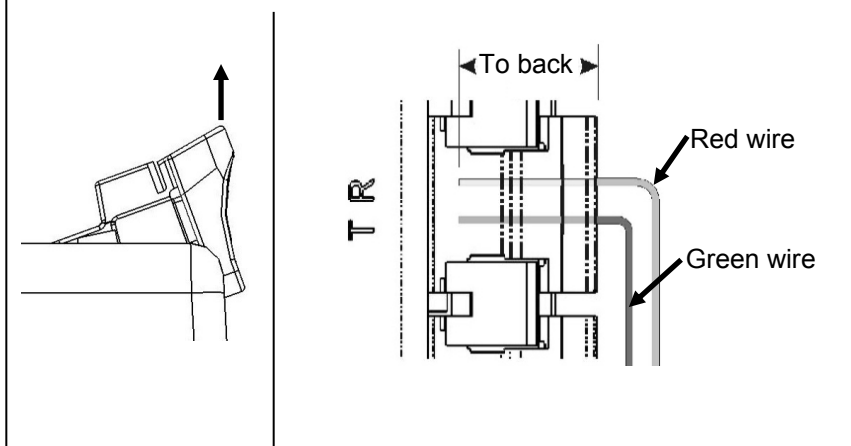


RJ11 Modem connector

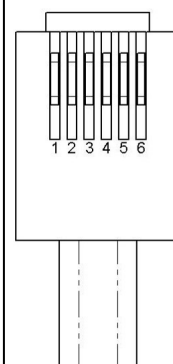


Pin	RJ wire
1	Not Used
2	Black Wire T
3	Red Wire R
4	Green Wire T
5	Yellow Wire R
6	Not Used

IDC connector



RJ11 Phone connector



Pin	RJ wire
1	Not Used
2	Not Used
3	Red Wire R
4	Green Wire T
5	Not Used
6	Not Used