

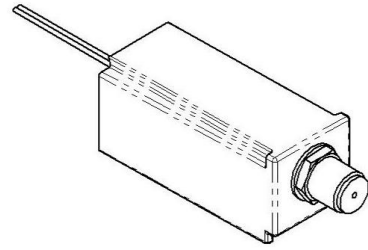


G.fast Balun Installation Guide

Installation Guidelines

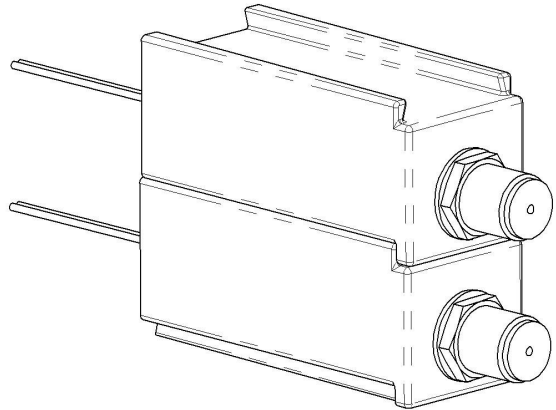
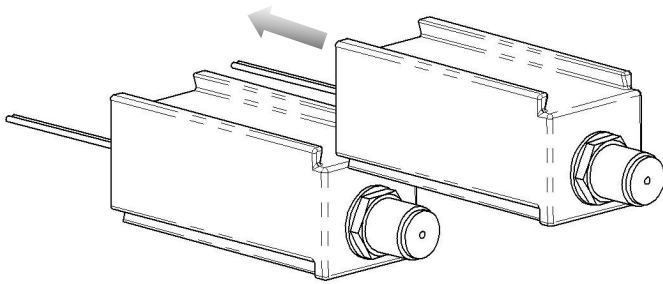
The Universal Balun has two connection interfaces:

- **Coaxial** - for connection to 75Ω coaxial cable.
- **Twisted pair or RJ11 plug** - DSL signal.
Blue wire is Ring
White wire is Tip

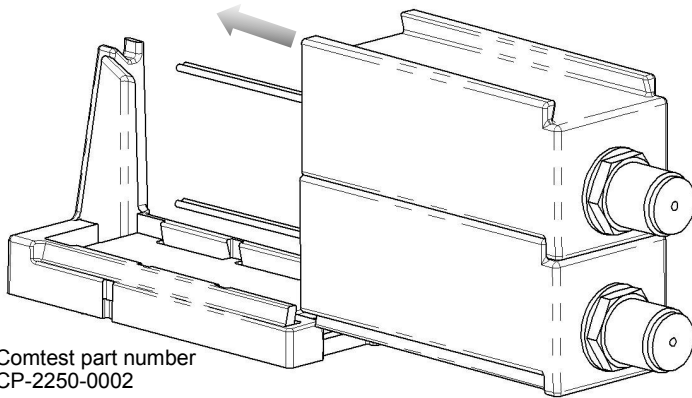


Copyright © 2015, Comtest Networks Inc.

Stacking



Attach to sled



Comtest part number
CP-2250-0002

