



NID-TJEMI POTS Splitter Installation Guide

Installation Guidelines

The NID-TJEMI has four connection types:

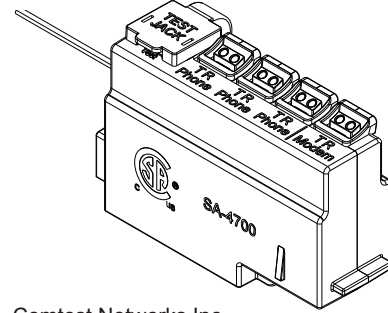
- **Modem** - ADSL / VDSL2 modem.
- **Line** - line coming from the central office. (Red-Green wire)
- **Phone** - customer's telephone.
- **Test Jack** - RJ11 to verify line signal.

⚠ To reduce the risk of fire, use only **No. 26 AWG** or thicker gauge telecommunication line cord/cable.

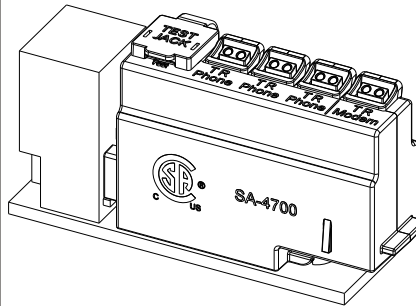
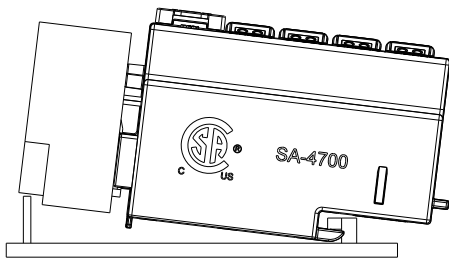
⚠ Insulation displacement connectors [IDC].
Do not strip wires

⚠ If the pair of wires have been previously used, remove used wire section before inserting into the IDC connectors on the NID-TJEMI.

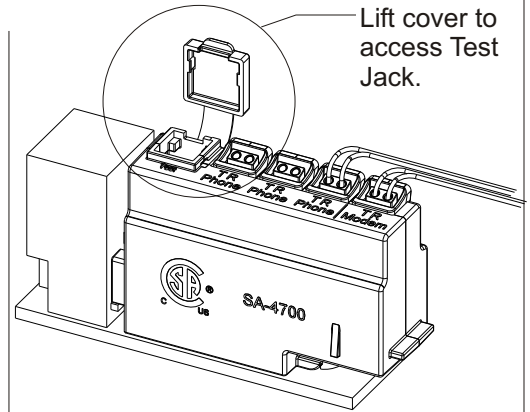
Copyright © 2015, Comtest Networks Inc.



Installation

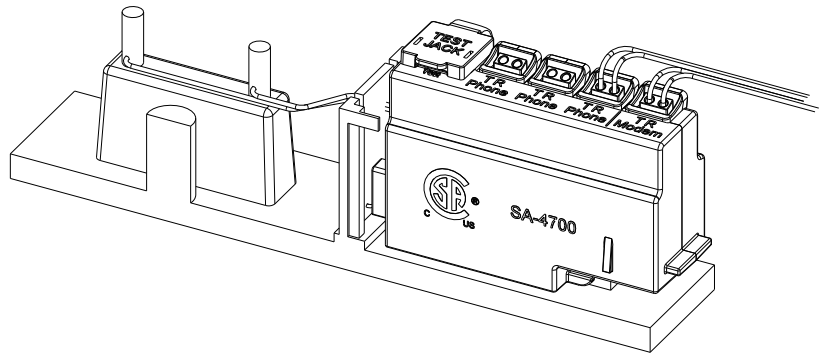
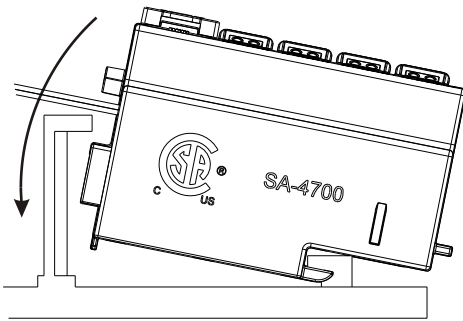


Maintain wire twist

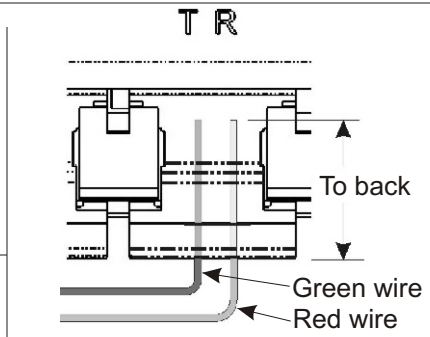
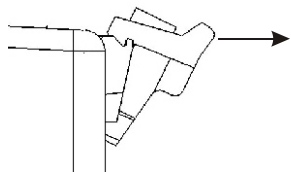


Lift cover to access Test Jack.

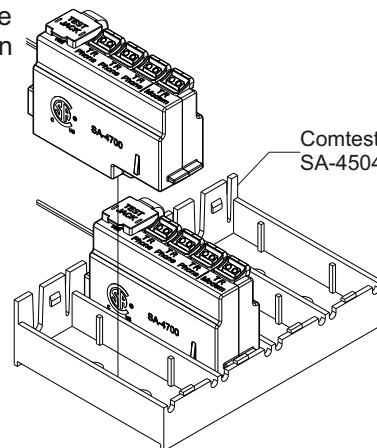
With Separate Protection Block



IDC connector



Alternative Installation



Comtest part number SA-4504-0044

For Assistance
techhelp@comtestnetworks.com

1-877-369-5499
www.comtestnetworks.com