

24 Port Rack Mount Power Combiner

Model SA-2745-1201



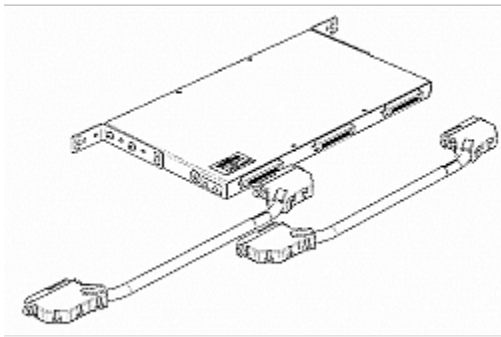
NAME

24 Port Rack Mount Power Combiner

ORDER NUMBER

SA-2745-1201

The Model 2745RM is a 24 port power combiner that provides the required filtering for running Span Power (+/-190VDC) and providing VDSL2 copper transport over the same copper pairs. The combiner provides 12 input POWER pairs, 24 input DSL pairs and 24 Combined Power over DSL output pairs.



SPECIFICATIONS

DIMENSIONS (H X W X D)	22.2 x 482.6 x 216 mm 0.875 x 19 x 8.5 "
OPERATING TEMPERATURE	-40 to +70 °C -40 to +158 °F
ACCESSORY	Includes two 3ft cables for DSL IN and SPAN Power IN Ground wire and hardware included
COMPLIANCE	GR1089 Compliant, GR63 (NEBS Level 3) Compliant, UL 60950 Compliant, RoHS 5/6, UL V-0

xDSL IN				Combined xDSL & SPAN Power OUT				SPAN Power IN			
	Ring		Tip		Ring		Tip		Ring		Tip
1	DSL 1	26	DSL 1	1	DSL 1 + Power 1	26	DSL 1 + Power 1	1	Power 1	26	Power 1
2	DSL 2	27	DSL 2	2	DSL 2 + Power 1	27	DSL 2 + Power 1	2	Power 2	27	Power 2
3	DSL 3	28	DSL 3	3	DSL 3 + Power 2	28	DSL 3 + Power 2	3	Power 3	28	Power 3
4	DSL 4	29	DSL 4	4	DSL 4 + Power 2	29	DSL 4 + Power 2	4	Power 4	29	Power 4
5	DSL 5	30	DSL 5	5	DSL 5 + Power 3	30	DSL 5 + Power 3	5	Power 5	30	Power 5
6	DSL 6	31	DSL 6	6	DSL 6 + Power 3	31	DSL 6 + Power 3	6	Power 6	31	Power 6
7	DSL 7	32	DSL 7	7	DSL 7 + Power 4	32	DSL 7 + Power 4	7	Power 7	32	Power 7
8	DSL 8	33	DSL 8	8	DSL 8 + Power 4	33	DSL 8 + Power 4	8	Power 8	33	Power 8
9	DSL 9	34	DSL 9	9	DSL 9 + Power 5	34	DSL 9 + Power 5	9	Power 9	34	Power 9
10	DSL 10	35	DSL 10	10	DSL 10 + Power 5	35	DSL 10 + Power 5	10	Power 10	35	Power 10
11	DSL 11	36	DSL 11	11	DSL 11 + Power 6	36	DSL 11 + Power 6	11	Power 11	36	Power 11
12	DSL 12	37	DSL 12	12	DSL 12 + Power 6	37	DSL 12 + Power 6	12	Power 12	37	Power 12
13	DSL 13	38	DSL 13	13	DSL 13 + Power 7	38	DSL 13 + Power 7	13		38	
14	DSL 14	39	DSL 14	14	DSL 14 + Power 7	39	DSL 14 + Power 7	14		39	
15	DSL 15	40	DSL 15	15	DSL 15 + Power 8	40	DSL 15 + Power 8	15		40	
16	DSL 16	41	DSL 16	16	DSL 16 + Power 8	41	DSL 16 + Power 8	16		41	
17	DSL 17	42	DSL 17	17	DSL 17 + Power 9	42	DSL 17 + Power 9	17		42	
18	DSL 18	43	DSL 18	18	DSL 18 + Power 9	43	DSL 18 + Power 9	18		43	
19	DSL 19	44	DSL 19	19	DSL 19 + Power 10	44	DSL 19 + Power 10	19		44	
20	DSL 20	45	DSL 20	20	DSL 20 + Power 10	45	DSL 20 + Power 10	20		45	
21	DSL 21	46	DSL 21	21	DSL 21 + Power 11	46	DSL 21 + Power 11	21		46	
22	DSL 22	47	DSL 22	22	DSL 22 + Power 11	47	DSL 22 + Power 11	22		47	
23	DSL 23	48	DSL 23	23	DSL 23 + Power 12	48	DSL 23 + Power 12	23		48	
24	DSL 24	49	DSL 24	24	DSL 24 + Power 12	49	DSL 24 + Power 12	24		49	
25		50		25		50		25		50	

Connector Pin Outs