

# 24 Port Rack Mount Power Combiner

Model SA-2745-1201



---

**NAME**

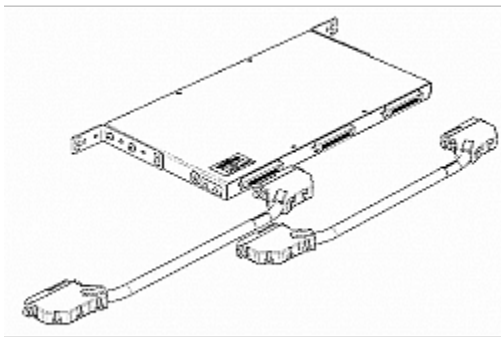
**24 Port Rack Mount Power Combiner**

**ORDER NUMBER**

**SA-2745-1201**

---

The Model 2745RM is a 24 port power combiner that provides the required filtering for running Span Power (+/-190VDC) and providing VDSL2 copper transport over the same copper pairs. The combiner provides 12 input POWER pairs, 24 input DSL pairs and 24 Combined Power over DSL output pairs.



---

**SPECIFICATIONS**

---

<b>DIMENSIONS (H X W X D)</b>	22.2 x 482.6 x 216 mm 0.875 x 19 x 8.5 "
-------------------------------	---

---

<b>OPERATING TEMPERATURE</b>	-40 to +70 °C -40 to +158 °F
------------------------------	---------------------------------

---

<b>ACCESSORY</b>	Includes two 3ft cables for DSL IN and SPAN Power IN Ground wire and hardware included
------------------	---

---

<b>COMPLIANCE</b>	GR1089 Compliant, GR63 (NEBS Level 3) Compliant, UL 60950 Compliant, RoHS 5/6, UL V-0
-------------------	--

---

xDSL IN				Combined xDSL & SPAN Power OUT				SPAN Power IN			
	Ring		Tip		Ring		Tip		Ring		Tip
1	DSL 1	26	DSL 1	1	DSL 1 + Power 1	26	DSL 1 + Power 1	1	Power 1	26	Power 1
2	DSL 2	27	DSL 2	2	DSL 2 + Power 1	27	DSL 2 + Power 1	2	Power 2	27	Power 2
3	DSL 3	28	DSL 3	3	DSL 3 + Power 2	28	DSL 3 + Power 2	3	Power 3	28	Power 3
4	DSL 4	29	DSL 4	4	DSL 4 + Power 2	29	DSL 4 + Power 2	4	Power 4	29	Power 4
5	DSL 5	30	DSL 5	5	DSL 5 + Power 3	30	DSL 5 + Power 3	5	Power 5	30	Power 5
6	DSL 6	31	DSL 6	6	DSL 6 + Power 3	31	DSL 6 + Power 3	6	Power 6	31	Power 6
7	DSL 7	32	DSL 7	7	DSL 7 + Power 4	32	DSL 7 + Power 4	7	Power 7	32	Power 7
8	DSL 8	33	DSL 8	8	DSL 8 + Power 4	33	DSL 8 + Power 4	8	Power 8	33	Power 8
9	DSL 9	34	DSL 9	9	DSL 9 + Power 5	34	DSL 9 + Power 5	9	Power 9	34	Power 9
10	DSL 10	35	DSL 10	10	DSL 10 + Power 5	35	DSL 10 + Power 5	10	Power 10	35	Power 10
11	DSL 11	36	DSL 11	11	DSL 11 + Power 6	36	DSL 11 + Power 6	11	Power 11	36	Power 11
12	DSL 12	37	DSL 12	12	DSL 12 + Power 6	37	DSL 12 + Power 6	12	Power 12	37	Power 12
13	DSL 13	38	DSL 13	13	DSL 13 + Power 7	38	DSL 13 + Power 7	13		38	
14	DSL 14	39	DSL 14	14	DSL 14 + Power 7	39	DSL 14 + Power 7	14		39	
15	DSL 15	40	DSL 15	15	DSL 15 + Power 8	40	DSL 15 + Power 8	15		40	
16	DSL 16	41	DSL 16	16	DSL 16 + Power 8	41	DSL 16 + Power 8	16		41	
17	DSL 17	42	DSL 17	17	DSL 17 + Power 9	42	DSL 17 + Power 9	17		42	
18	DSL 18	43	DSL 18	18	DSL 18 + Power 9	43	DSL 18 + Power 9	18		43	
19	DSL 19	44	DSL 19	19	DSL 19 + Power 10	44	DSL 19 + Power 10	19		44	
20	DSL 20	45	DSL 20	20	DSL 20 + Power 10	45	DSL 20 + Power 10	20		45	
21	DSL 21	46	DSL 21	21	DSL 21 + Power 11	46	DSL 21 + Power 11	21		46	
22	DSL 22	47	DSL 22	22	DSL 22 + Power 11	47	DSL 22 + Power 11	22		47	
23	DSL 23	48	DSL 23	23	DSL 23 + Power 12	48	DSL 23 + Power 12	23		48	
24	DSL 24	49	DSL 24	24	DSL 24 + Power 12	49	DSL 24 + Power 12	24		49	
25		50		25		50		25		50	

## Connector Pin Outs