

Installation Guidelines

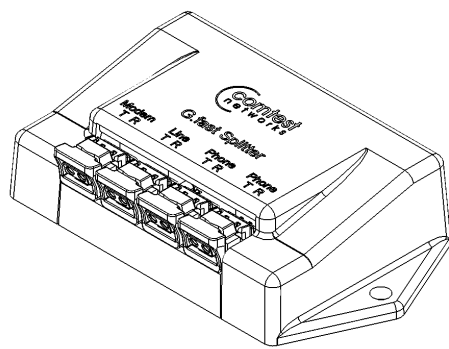
The CPE has three connection ports:

- **Modem** - G.fast modem.
- **Line** - line coming from the central office.
- **Phone** - customer's telephone.

⚠ To reduce the risk of fire, use only **No. 26 AWG** or thicker gauge telecommunication line cord/cable.

⚠ Insulation displacement connectors [IDC].
Do not strip wires

⚠ If the pair of wires have been previously used, remove used wire section before inserting into the IDC connectors on the CPE.



Copyright © 2016, Comtest Networks Inc.

