

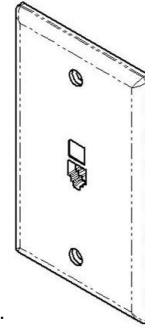
### Installation Guidelines

The RJ-Balun has two connection types:

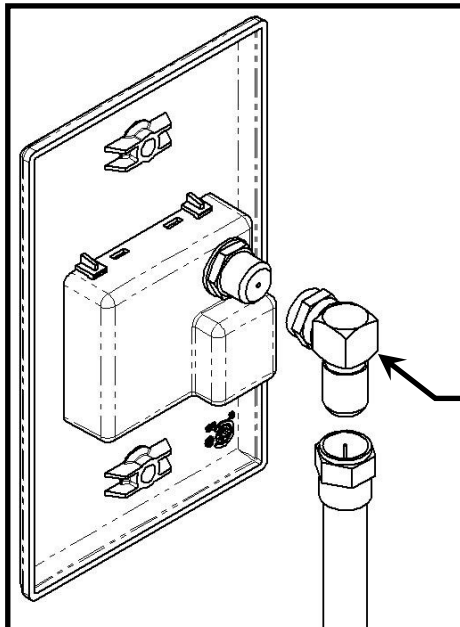
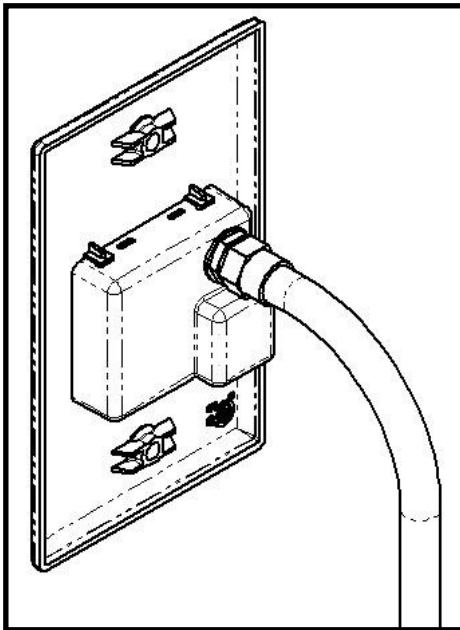
- **Coaxial** - for connection to 75Ω coaxial cable.
- **RJ11** - for connection to DSL Modem



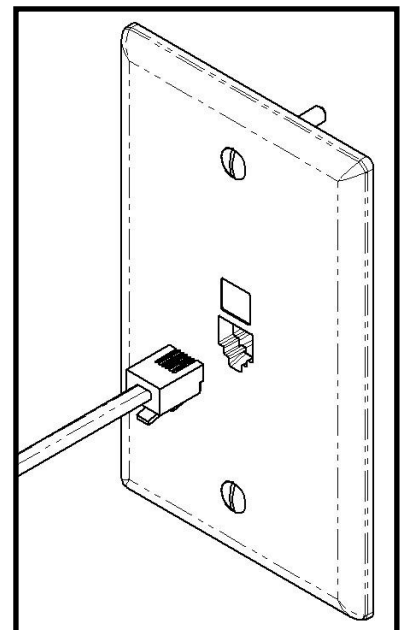
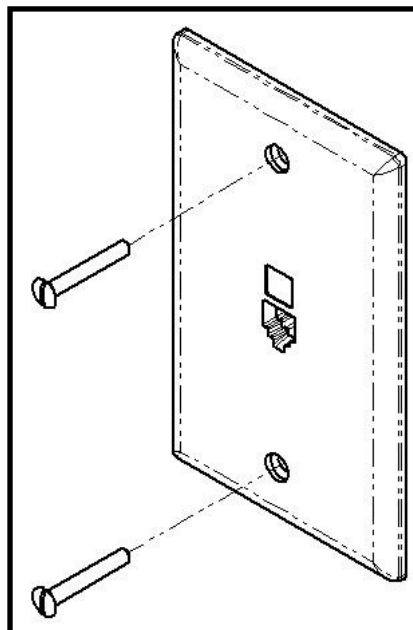
### Flush Mount Balun Installation Guide



Copyright © 2015, Comtest Networks Inc.



90° Elbow



**For Assistance**  
techhelp@comtestnetworks.com

1-877-369-5499  
www.comtestnetworks.com