

Figure 1

1. General

1.1 This document describes the QTH38B termination/removal tool (Figure 1) and gives instructions for its use on main frames.

1.2 The QTH38B tool is used for terminating, bridging, and removing wires from 2-beam or 3-beam, insulation-slicing, quick clip terminals found on QCM468 (MPC) and 391Q connectors, and on Versablocks with quick-clip pins.

1.3 Order by Part Number **A0276558**.

NOTICE: Use of the QTH38B on other types of terminals will result in unsatisfactory connections and possible tool or terminal damage.

2. Termination

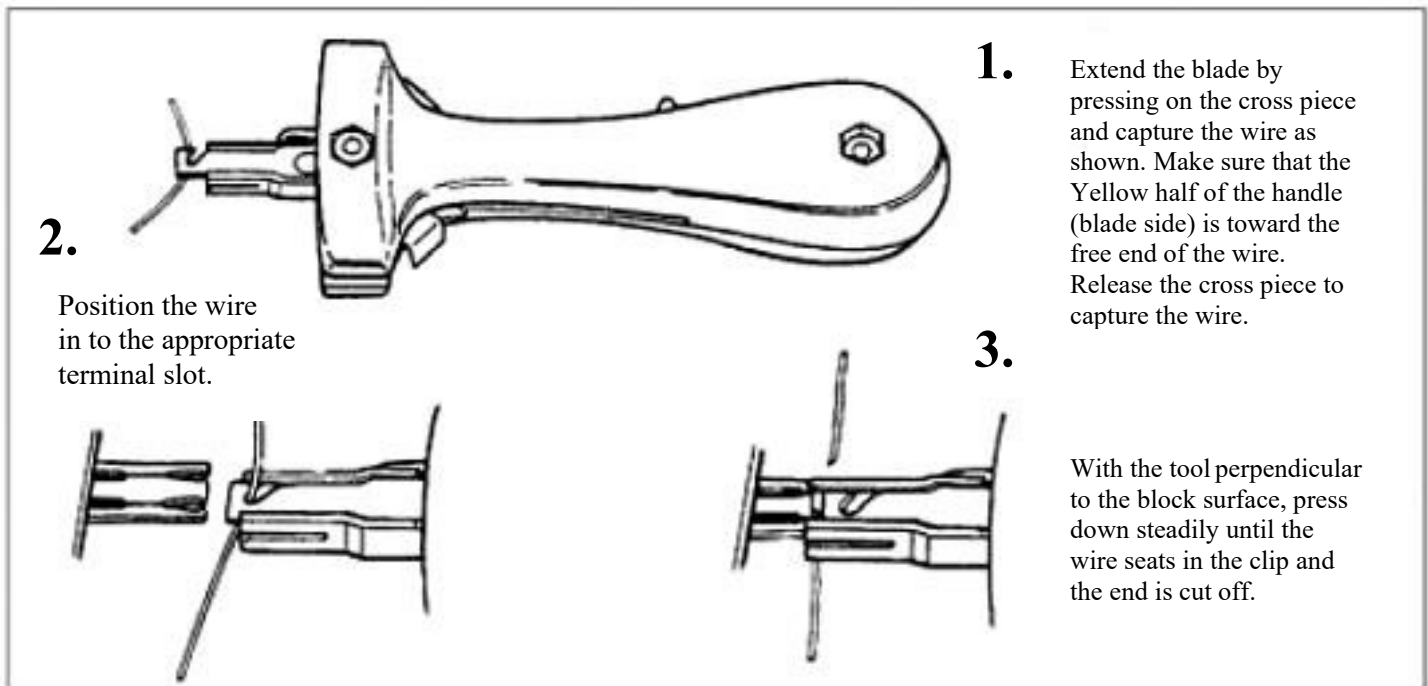


Figure 2

3. Bridge Connections

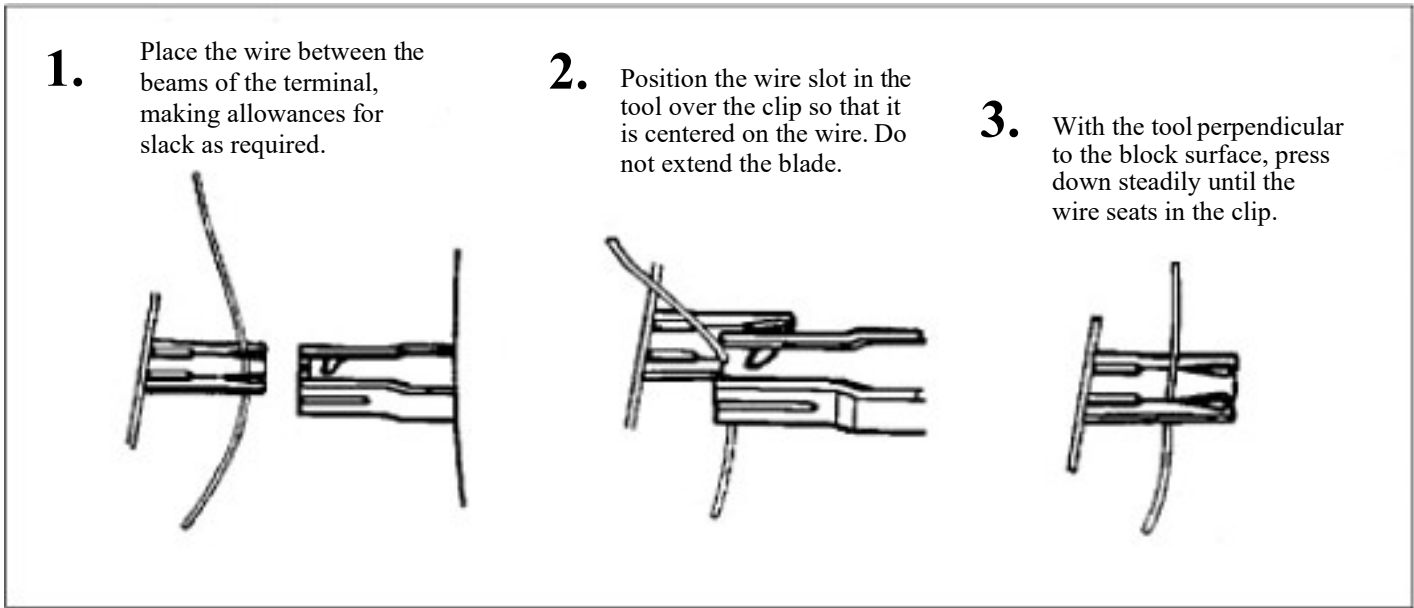


Figure 3

4. Wire Removal

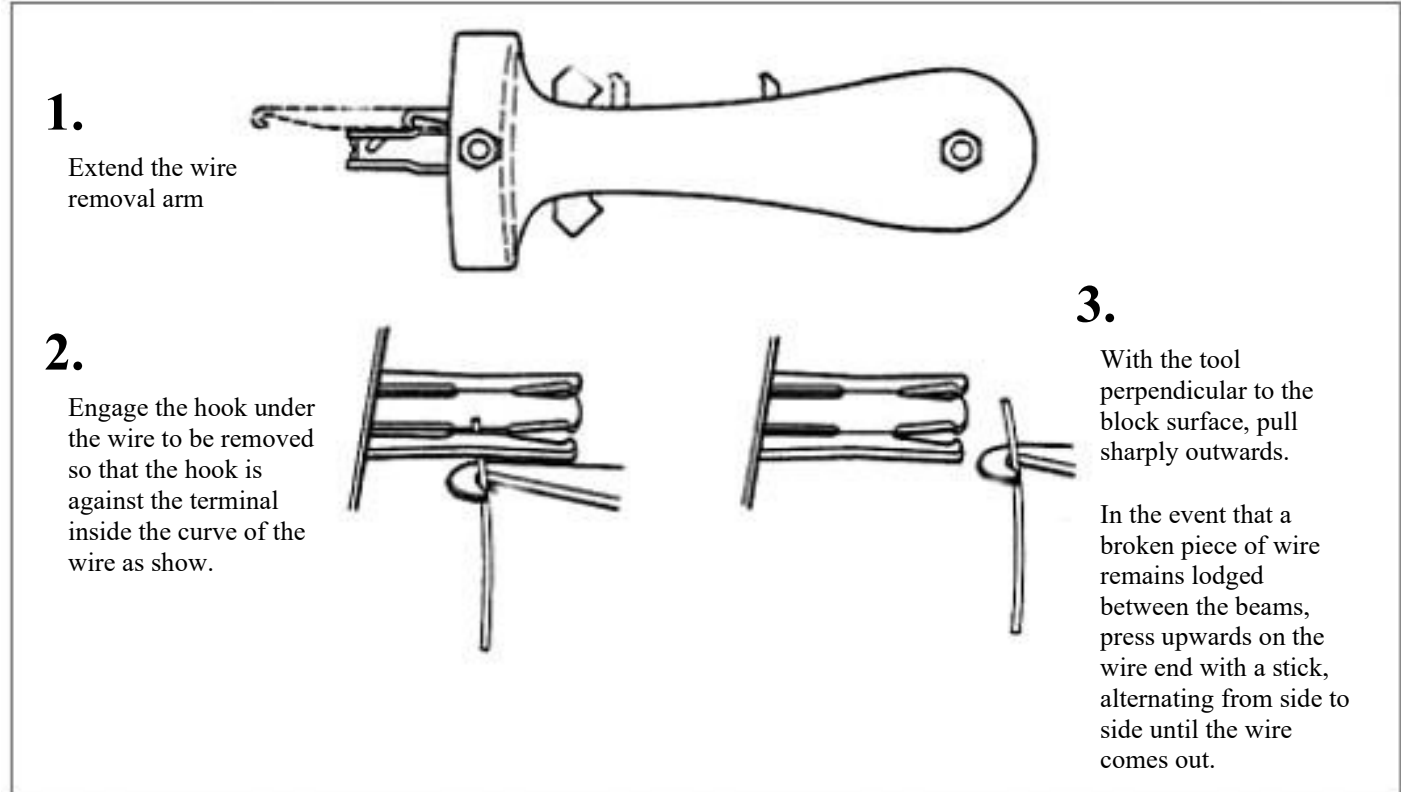


Figure 4