

Installation Guidelines

The 16-Port G.fast Splitter has four connection interfaces:

- **RJ21 plugs** - PSTN & DSL signal.
- **IDC** - Combined G.fast & POTS signal
- **Ground** - Ground connection point

⚠ To reduce the risk of fire, use only **No. 26 AWG** or thicker gauge telecommunication line cord/cable for the telecommunication signals.

Use **No. 10 AWG** or thicker cable for the ground

⚠ Insulation displacement connectors [IDC].

⚠ **Do not strip wires**

⚠ If the pair of wires have been previously used, remove used wire section before inserting into the IDC connectors.

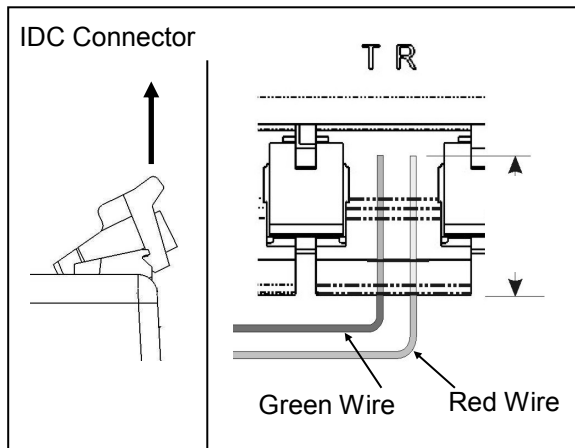
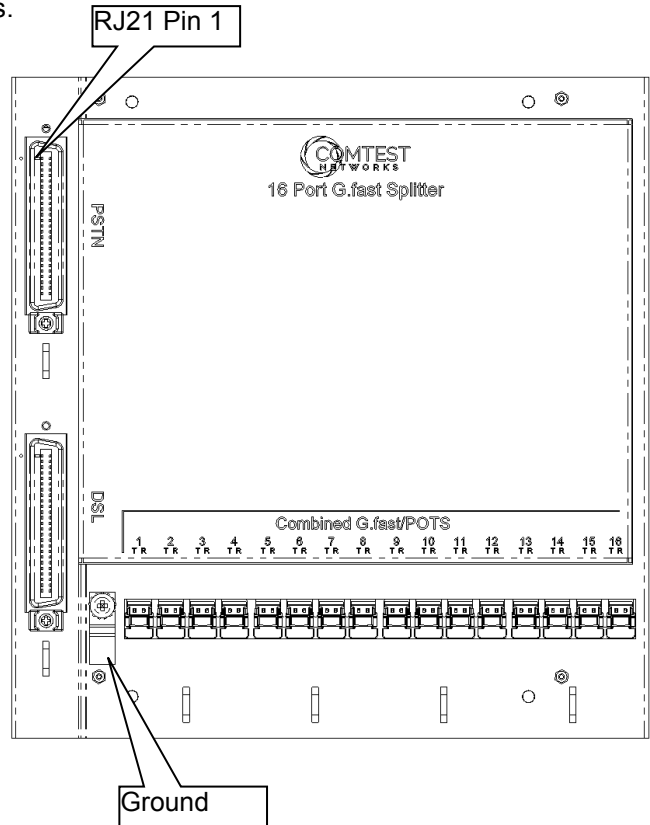


16-PORT G.FAST SPLITTER

RJ21 PINOUT (PSTN & DSL)

Port	Signal	Pin	Port	Signal	Pin
1	RING	1	9	RING	9
	TIP	26		TIP	34
2	RING	2	10	RING	10
	TIP	27		TIP	35
3	RING	3	11	RING	11
	TIP	28		TIP	36
4	RING	4	12	RING	12
	TIP	29		TIP	37
5	RING	5	13	RING	13
	TIP	30		TIP	38
6	RING	6	14	RING	14
	TIP	31		TIP	39
7	RING	7	15	RING	15
	TIP	32		TIP	40
8	RING	8	16	RING	16
	TIP	33		TIP	41

All other pins are NC



For Assistance
techhelp@comtestnetworks.com

1-877-369-5499
www.comtestnetworks.com