

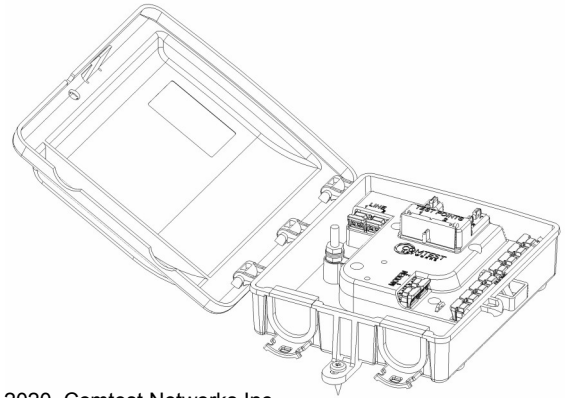
Installation Guidelines

Connection types:

- **Modem** - ADSL / VDSL2 modem.
- **Line** - line coming from the central office.
- **Phone** - customer's telephone.
- **Test Jack** - RJ11 to verify line signal.
- **Test Points** - to verify line signal by use of alligator clips



AiO Installation Guide



⚠ Recommended wire gauge, for telecommunication line cord/cable, is 22 to 26 AWG. Maintain wire twist.

⚠ Recommended wire gauge, for the ground wire, is 6 to 8 AWG.

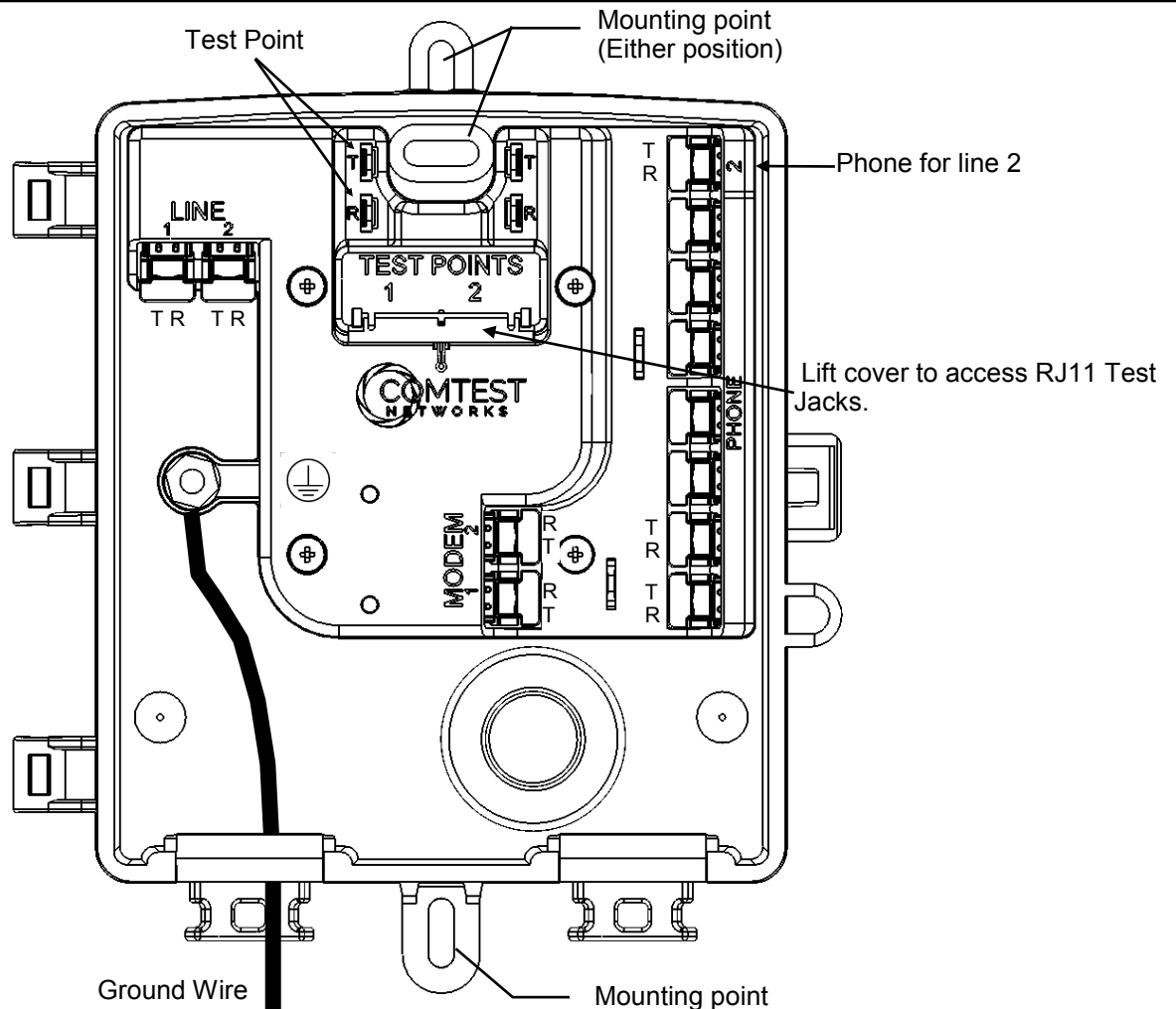
⚠ Ensure ground wire is connected to ground post

⚠ Insulation displacement connectors [IDC].
Do not strip wires

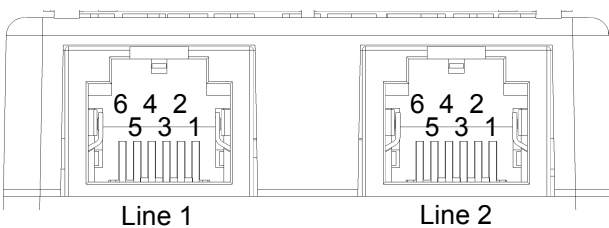
⚠ If the pair of wires have been previously used, remove used wire section before inserting into the IDC connectors on the AiO.

Copyright © 2020, Comtest Networks Inc.

Installation

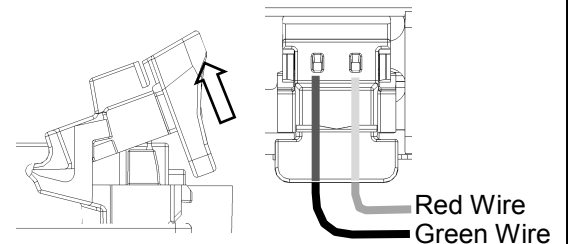


RJ11 Test Jacks



Pin	Signal
1	Ring to customer
2	NC
3	Ring from CO
4	Tip from CO
5	NC
6	Tip to customer

IDC connector



For Assistance
techhelp@comtestnetworks.com

1-877-369-5499
comtestnetworks.com