



# Door Bypass Installation Guide

## Installation Guidelines

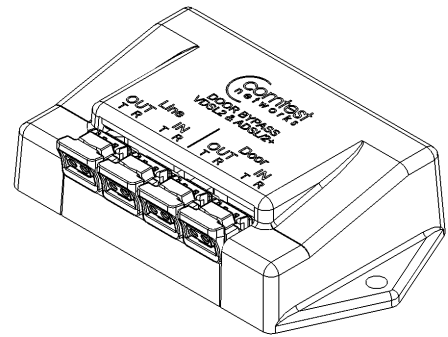
The Door Bypass has four connection ports:

- **Line In** - DSL/POTS signal from central office.
- **Line Out** - Line going to customer premise.
- **Door In** - Signal coming from Door Entry Panel.
- **Door Out** - Signal returning to Door Entry Panel.

⚠ To reduce the risk of fire, use only **No. 26 AWG** or thicker gauge telecommunication line cord/cable.

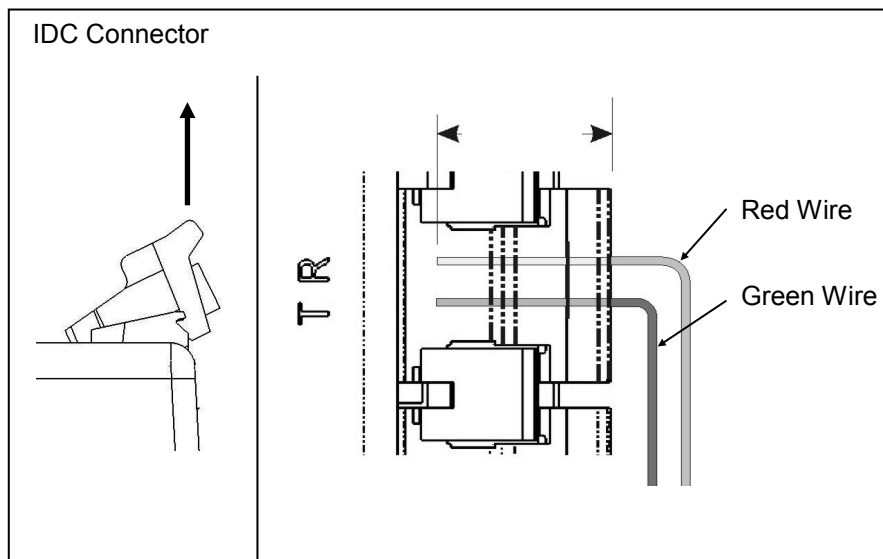
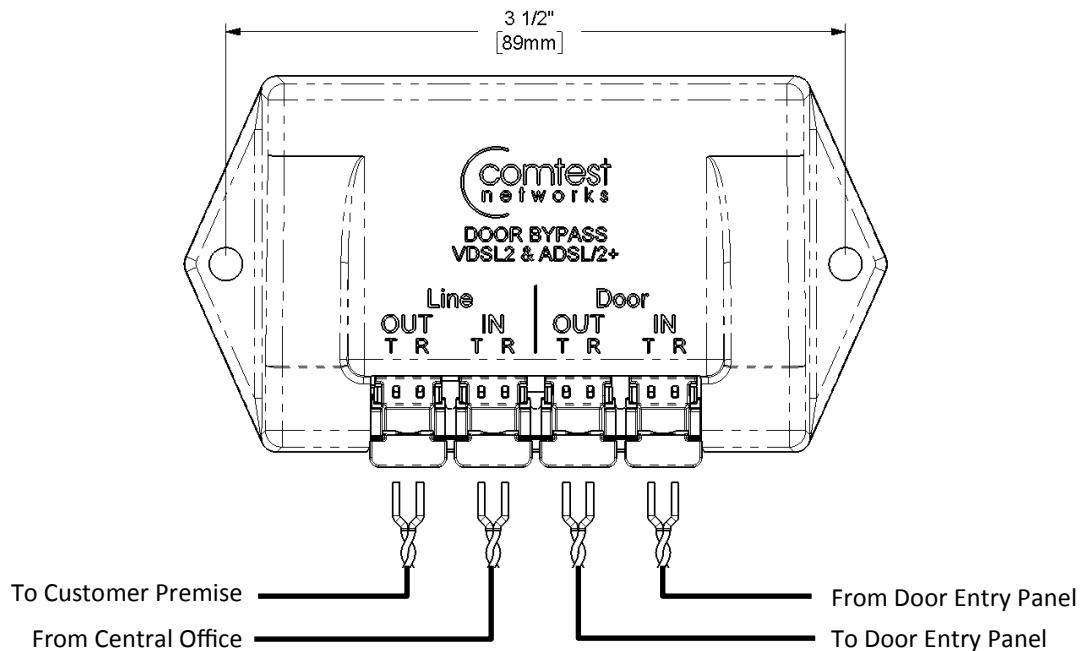
⚠ Insulation displacement connectors [IDC].  
**Do not strip wires**

⚠ If the pair of wires have been previously used, remove used wire section before inserting into the IDC connectors on the Door Panel.



Copyright © 2017, Comtest Networks Inc.

## Wiring



**For Assistance** [techhelp@comtestnetworks.com](mailto:techhelp@comtestnetworks.com) **1-877-369-5499** [www.comtestnetworks.com](http://www.comtestnetworks.com)