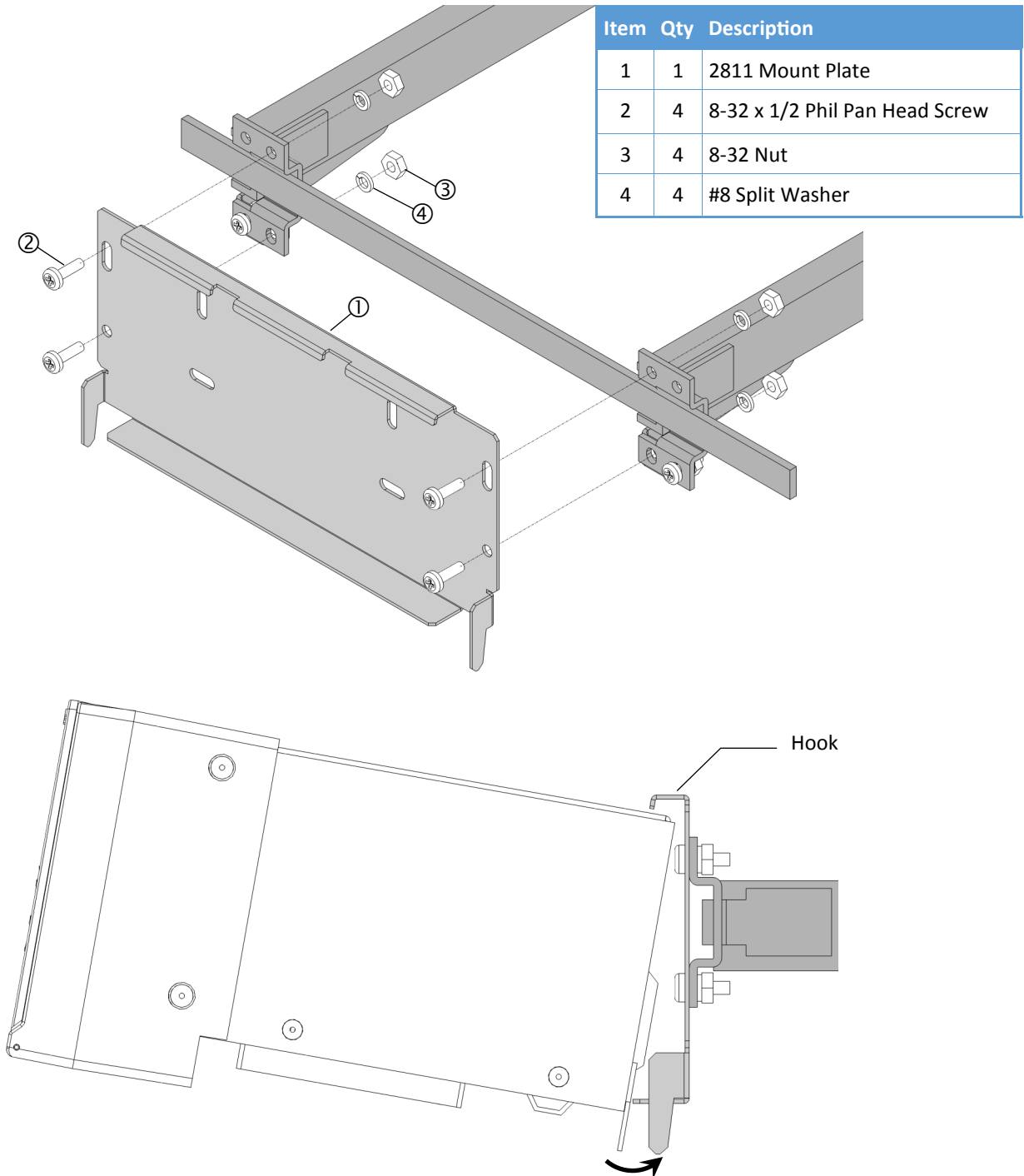




96-Port 4x24 Plug Standard System 5 Wire Wrap Splitter Install Guide SA-2811-P224

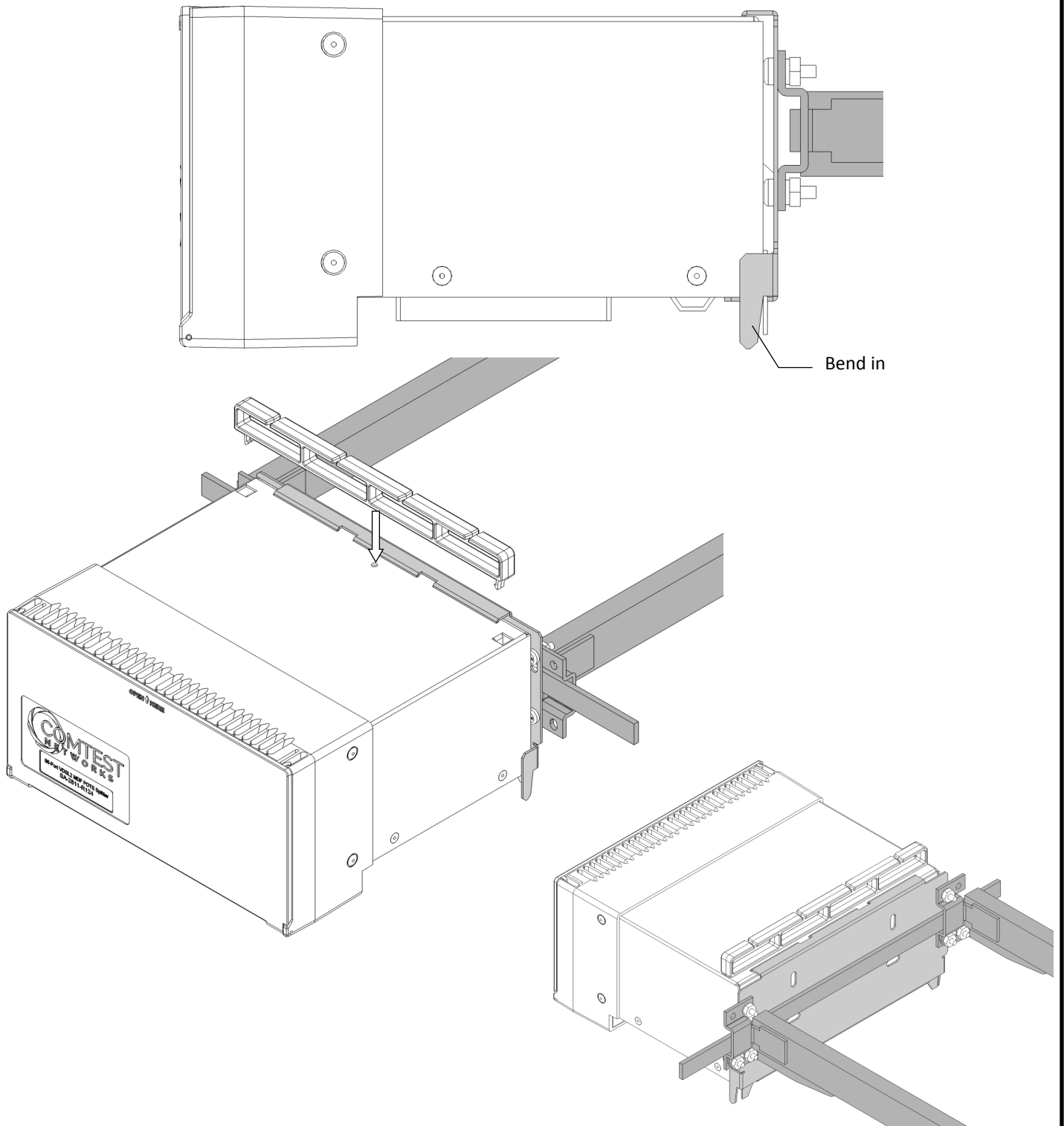


NOTE: 2811 MUST BE INSTALLED IN RESTRICTED ACCESS LOCATION



96-Port 4x24 Plug Standard System 5 Wire Wrap Splitter Install Guide

SA-2811-P224

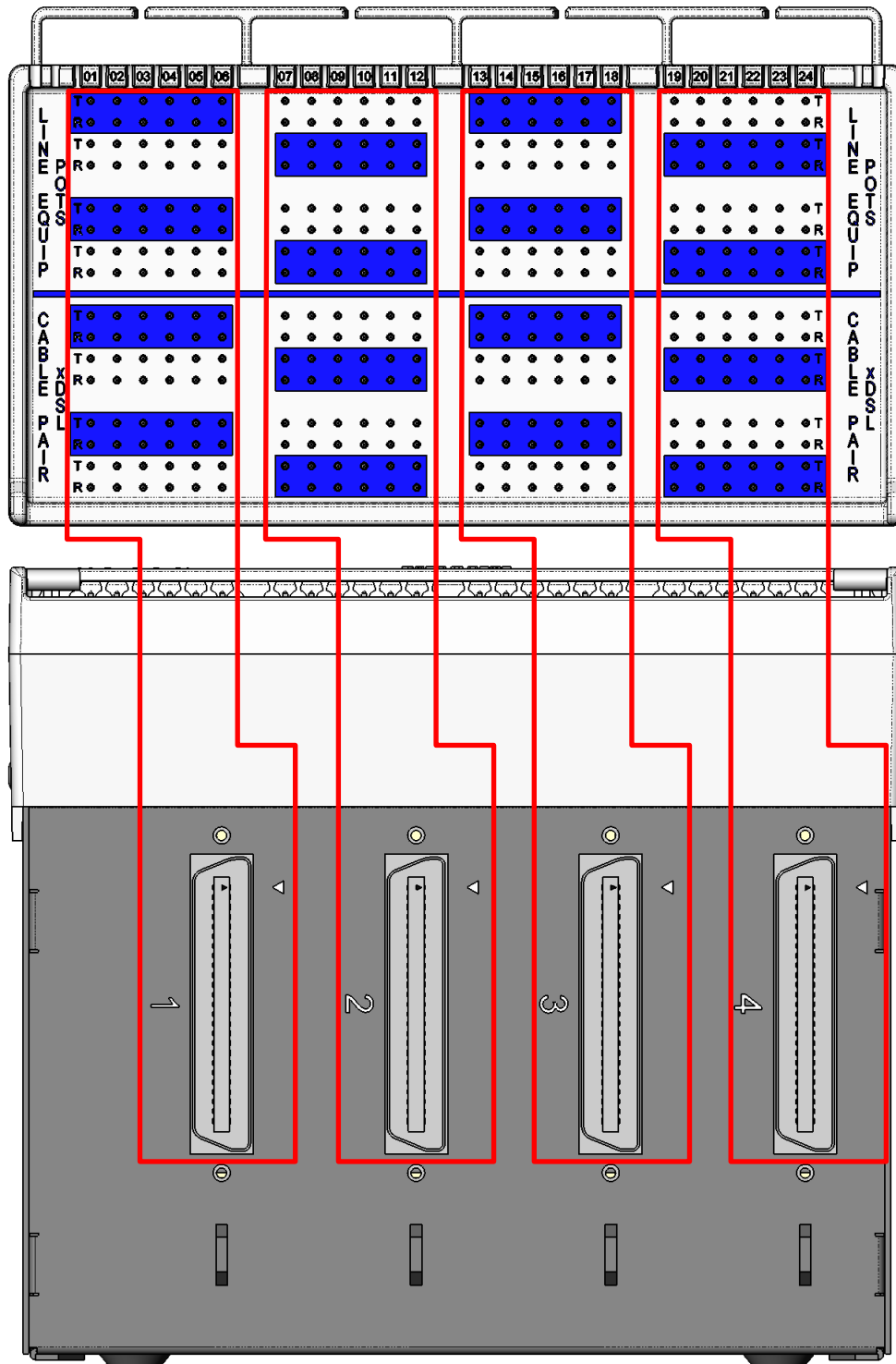




96-Port 4x24 Plug Standard System 5 Wire Wrap Splitter Install Guide

SA-2811-P224

WIRE WRAP TO RJ21 PATH





96-Port 4x24 Plug Standard System 5 Wire Wrap Splitter Install Guide

SA-2811-P224 WIRE WRAP PANEL

		SHELF #						CARD#																			
LINE EQUIP POINTS	T	4	8	12	16	20	24	28	32	36	40	44	48	4	8	12	16	20	24	28	32	36	40	44	48	T	LINE EQUIP POINTS
	R	4	8	12	16	20	24	28	32	36	40	44	48	4	8	12	16	20	24	28	32	36	40	44	48	R	
	T	3	7	11	15	19	23	27	31	35	39	43	47	3	7	11	15	19	23	27	31	35	39	43	47	T	
	R	3	7	11	15	19	23	27	31	35	39	43	47	3	7	11	15	19	23	27	31	35	39	43	47	R	
CABLES PAIR	T	2	6	10	14	18	22	26	30	34	38	42	46	2	6	10	14	18	22	26	30	34	38	42	46	T	CABLES PAIR
	R	2	6	10	14	18	22	26	30	34	38	42	46	2	6	10	14	18	22	26	30	34	38	42	46	R	
	T	1	5	9	13	17	21	25	29	33	37	41	45	1	5	9	13	17	21	25	29	33	37	41	45	T	
	R	1	5	9	13	17	21	25	29	33	37	41	45	1	5	9	13	17	21	25	29	33	37	41	45	R	

**NOTE: ONLY 26 AWG TO 22 AWG TELECOM WIRE TO BE USED
DSL RJ21 PIN OUT**

PORT		SIGNAL	RJ PIN	PORT		SIGNAL	RJ PIN
RJ 1 & 3	RJ 2 & 4			RJ 1 & 3	RJ 2 & 4		
1	25	RING	1	13	37	RING	26
		TIP	2			TIP	27
2	26	RING	3	14	38	RING	28
		TIP	4			TIP	29
3	27	RING	5	15	39	RING	30
		TIP	6			TIP	31
4	28	RING	7	16	40	RING	32
		TIP	8			TIP	33
5	29	RING	9	17	41	RING	34
		TIP	10			TIP	35
6	30	RING	11	18	42	RING	36
		TIP	12			TIP	37
7	31	RING	13	19	43	RING	38
		TIP	14			TIP	39
8	32	RING	15	20	44	RING	40
		TIP	16			TIP	41
9	33	RING	17	21	45	RING	42
		TIP	18			TIP	43
10	34	RING	19	22	46	RING	44
		TIP	20			TIP	45
11	35	RING	21	23	47	RING	46
		TIP	22			TIP	47
12	36	RING	23	24	48	RING	48
		TIP	24			TIP	49