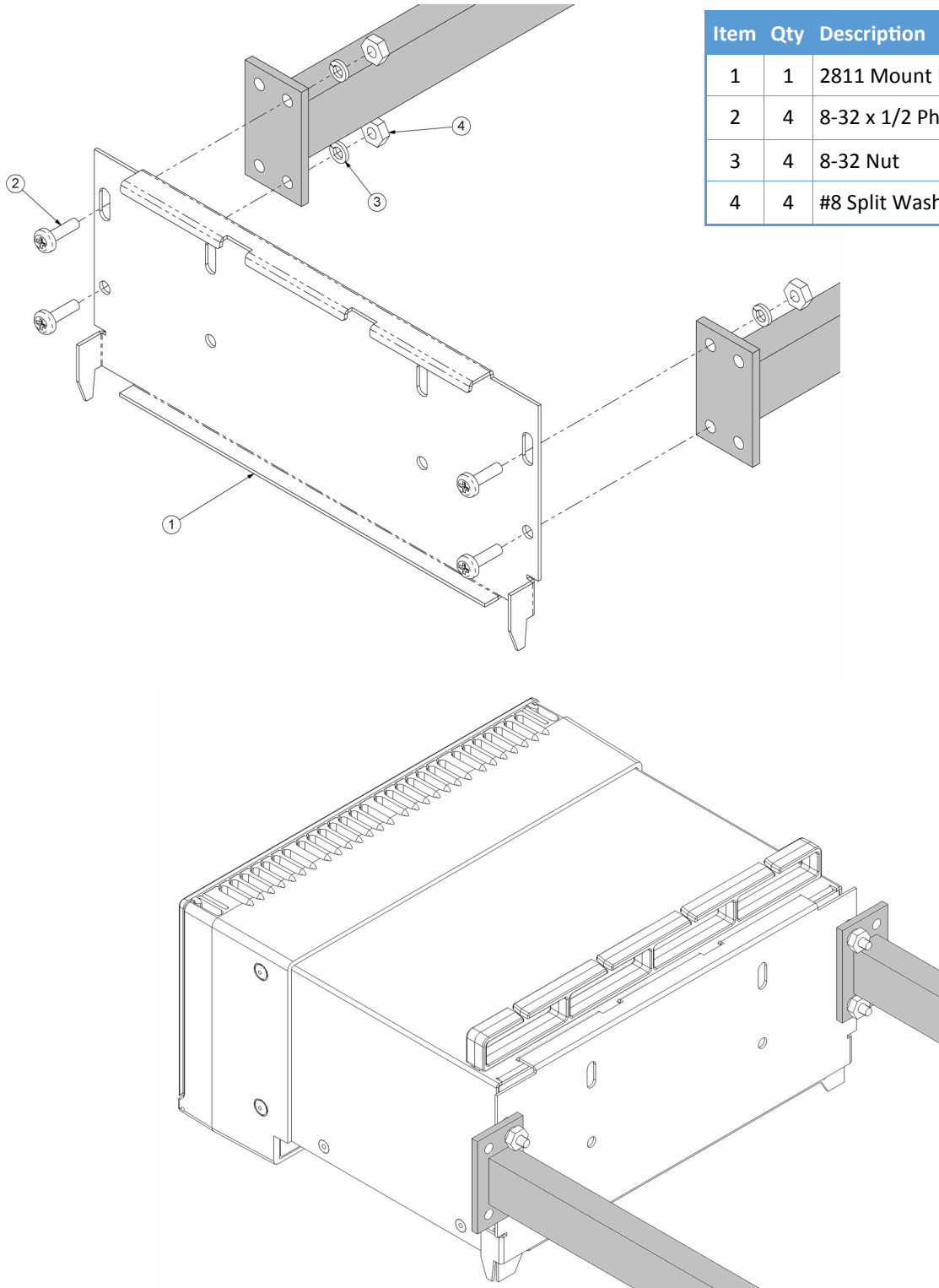




96-Port 4x24 Plug Wire Wrap Splitter Install Guide SA-2811-P424

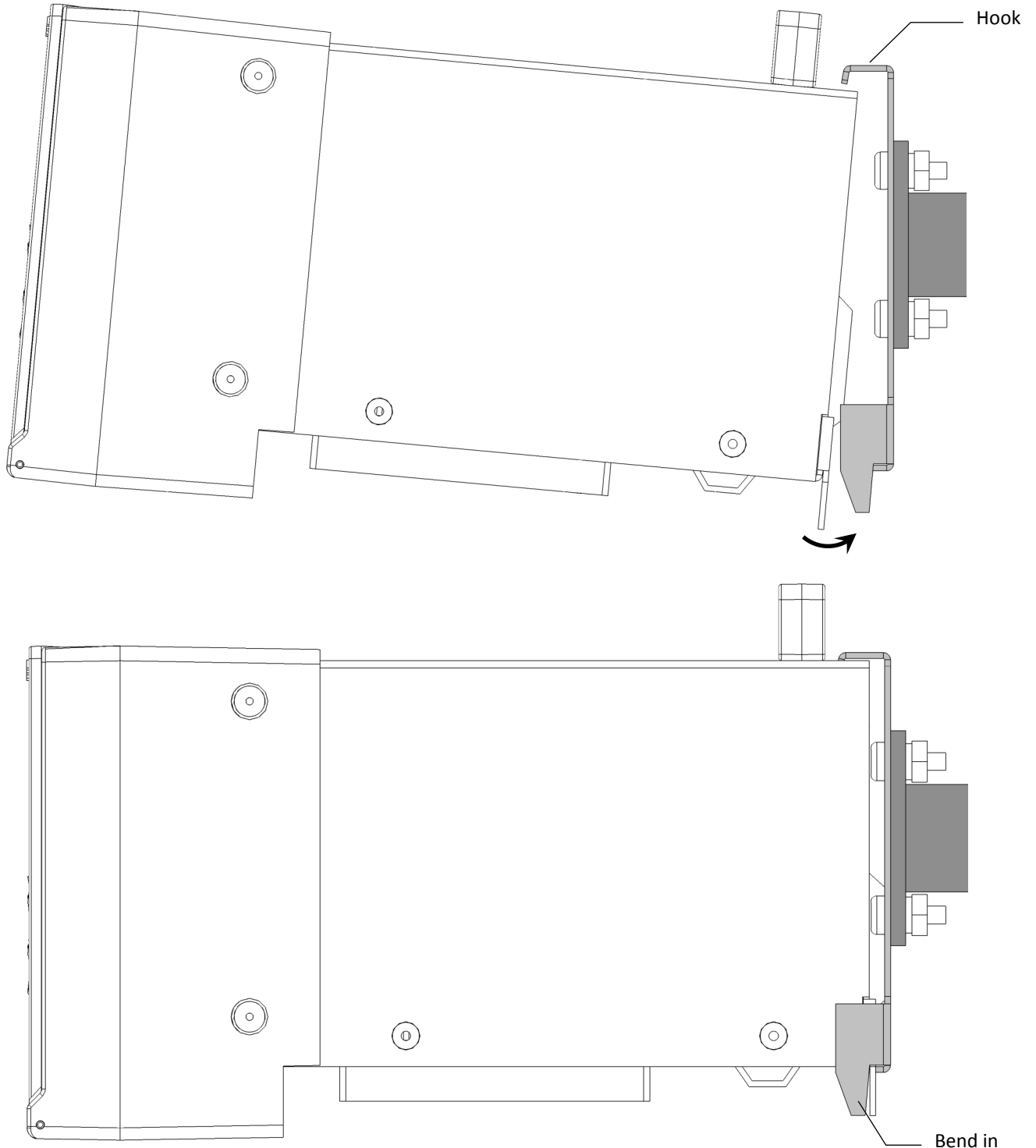


Item	Qty	Description
1	1	2811 Mount Plate
2	4	8-32 x 1/2 Phil Pan Head Screw
3	4	8-32 Nut
4	4	#8 Split Washer

NOTE: 2811 MUST BE INSTALLED IN RESTRICTED ACCESS LOCATION



96-Port 4x24 Plug Wire Wrap Splitter Install Guide SA-2811-P424

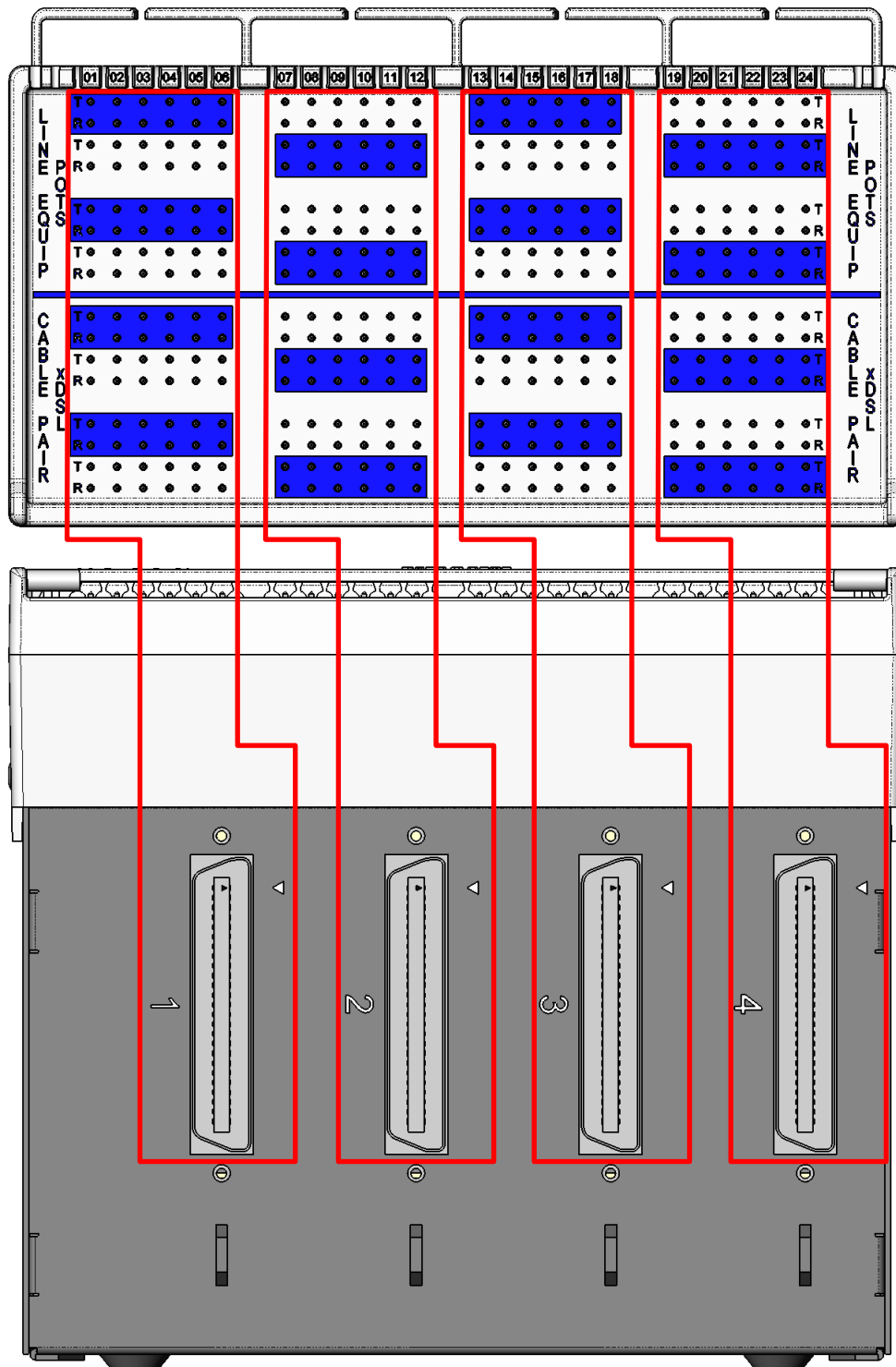




96-Port 4x24 Plug Wire Wrap Splitter Install Guide

SA-2811-P424

WIRE WRAP TO RJ21 PATH





96-Port 4x24 Plug Wire Wrap Splitter Install Guide SA-2811-P424 WIRE WRAP PANEL

		SHELF #						CARD#								SHELF #						CARD#							
LINE POINTS EQUIP	T	4	8	12	16	20	24	28	32	36	40	44	48	4	8	12	16	20	24	28	32	36	40	44	48	T	LINE POINTS EQUIP		
	R	4	8	12	16	20	24	28	32	36	40	44	48	4	8	12	16	20	24	28	32	36	40	44	48	R			
	T	3	7	11	15	19	23	27	31	35	39	43	47	3	7	11	15	19	23	27	31	35	39	43	47	T			
	R	3	7	11	15	19	23	27	31	35	39	43	47	3	7	11	15	19	23	27	31	35	39	43	47	R			
CABLE PAIRS	T	2	6	10	14	18	22	26	30	34	38	42	46	2	6	10	14	18	22	26	30	34	38	42	46	T	CABLE PAIRS		
	R	2	6	10	14	18	22	26	30	34	38	42	46	2	6	10	14	18	22	26	30	34	38	42	46	R			
	T	1	5	9	13	17	21	25	29	33	37	41	45	1	5	9	13	17	21	25	29	33	37	41	45	T			
	R	1	5	9	13	17	21	25	29	33	37	41	45	1	5	9	13	17	21	25	29	33	37	41	45	R			

**NOTE: ONLY 26 AWG TO 22 AWG TELECOM WIRE TO BE USED
DSL RJ21 PIN OUT**

PORT		SIGNAL	RJ PIN
RJ 1 & 3	RJ 2 & 4		
1	25	RING	1
		TIP	26
2	26	RING	2
		TIP	27
3	27	RING	3
		TIP	28
4	28	RING	4
		TIP	29
5	29	RING	5
		TIP	30
6	30	RING	6
		TIP	31
7	31	RING	7
		TIP	32
8	32	RING	8
		TIP	33
9	33	RING	9
		TIP	34
10	34	RING	10
		TIP	35
11	35	RING	11
		TIP	36
12	36	RING	12
		TIP	37

PORT		SIGNAL	RJ PIN
RJ 1 & 3	RJ 2 & 4		
13	37	RING	13
		TIP	38
14	38	RING	14
		TIP	39
15	39	RING	15
		TIP	40
16	40	RING	16
		TIP	41
17	41	RING	17
		TIP	42
18	42	RING	18
		TIP	43
19	43	RING	19
		TIP	44
20	44	RING	20
		TIP	45
21	45	RING	21
		TIP	46
22	46	RING	22
		TIP	47
23	47	RING	23
		TIP	48
24	48	RING	24
		TIP	49