



# KA-1000 16-PORT DISTRIBUTION SYSTEM

## Installation Guidelines

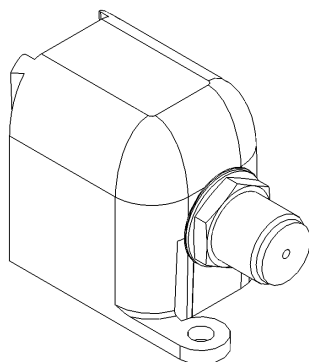
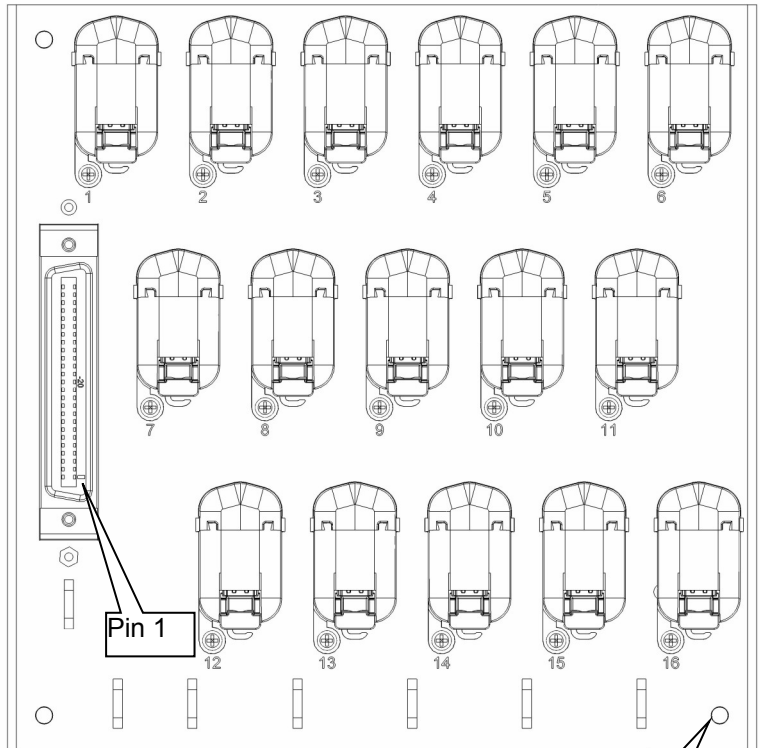
The KA-1000 16-Port Distribution System has two connection interfaces:

- **Plug-in module:**
  - **Balun:** for connection to 75Ω coaxial cable
  - **IDC:** for twisted pair.
- **RJ21 receptacle** - DSL signal.

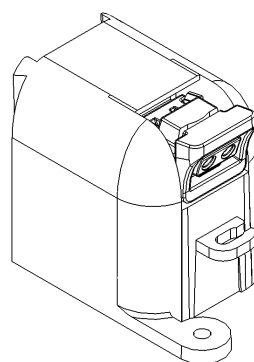
### RJ21 PINOUT

Port	Signal	Pin	Port	Signal	Pin
1	RING	1	9	RING	9
	TIP	26		TIP	34
2	RING	2	10	RING	10
	TIP	27		TIP	35
3	RING	3	11	RING	11
	TIP	28		TIP	36
4	RING	4	12	RING	12
	TIP	29		TIP	37
5	RING	5	13	RING	13
	TIP	30		TIP	38
6	RING	6	14	RING	14
	TIP	31		TIP	39
7	RING	7	15	RING	15
	TIP	32		TIP	40
8	RING	8	16	RING	16
	TIP	33		TIP	41

All other pins are NC



KA-1000 Balun Module  
[SA-3602-0001]



KA-1000 IDC Module  
[SA-3605-0001]

Mounting Hole  
(#8 screw required)  
3 places

**For Assistance**  
techhelp@comtestnetworks.com

1-877-369-5499  
www.comtestnetworks.com