

Installation Guidelines

The 4-Port PoE has three connection types:

- **Power Out** - DC power output.
- **Data** - Non-Powered RJ45 Ethernet lines.
- **PoE + Data** - Combined Power & Data RJ45 Ethernet lines.

⚠ To reduce the risk of fire, use only **No. 26 AWG** or thicker gauge Ethernet cable.

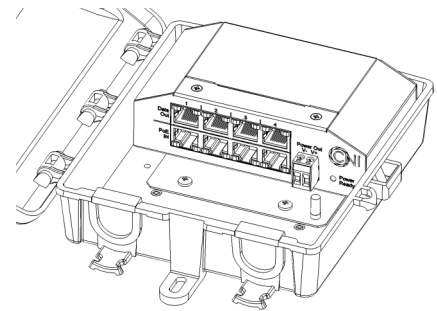
The terminal block recommended wire gauge is 12 to 22 AWG.

The ground wire recommended wire gauge is 6 to 14 AWG.

Ensure ground wire is connected to ground post

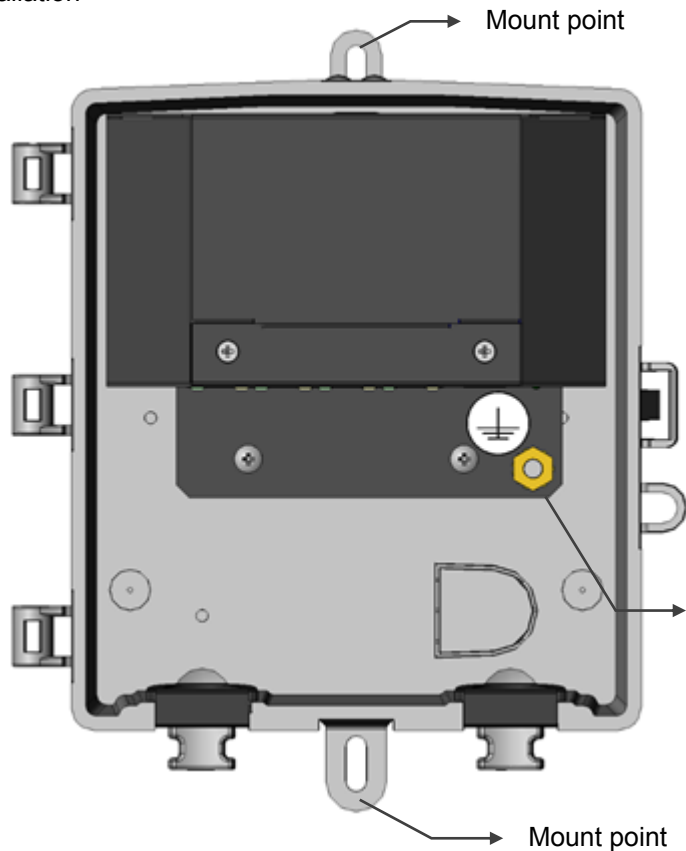


4-Port PoE Splitter Install Guide



Copyright © 2020, Comtest Networks Inc.

Installation



◆ Step 1: Mounting SA-4640-0001:

- To wall: use #10 pan head screws
- To pole: Use adjustable strap clamps

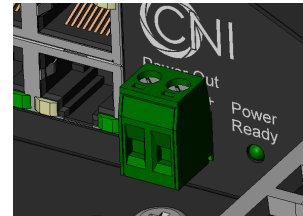
◆ Step 2: Attach Ground Wire to Ground Stud

- Recommended wire gauge 6 to 14AWG

◆ Step 3: Wire the Power Out Terminal Block

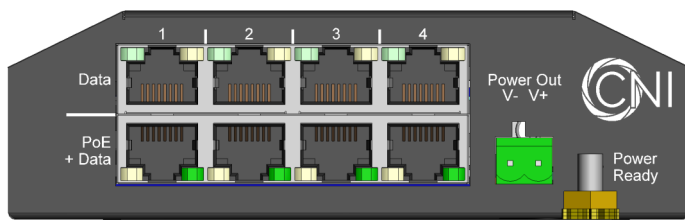
- Power Out Terminal Block must be wired before attaching to the 4-Port PoE Splitter.

◆ Step 4: Install terminal block



◆ Step 5: Connect Network Copper Cables

The 4-Port PoE Splitter supports 4 Ethernet inputs/connections (with PoE) and 4 Ethernet (only) output/connections to the ONT.



LED	Color	Function
PoE + Data (row)	Green	Lights to indicate the port is receiving IEEE 802.3at compliant 48~56V DC in-line power (The yellow LEDs are not used)
Power Ready	Green	Lights to indicate the unit is ready to provide 12V DC power
Data (row)	N/A	LEDs are not used

For Assistance
techhelp@comtestnetworks.com

1-877-369-5499
comtestnetworks.com