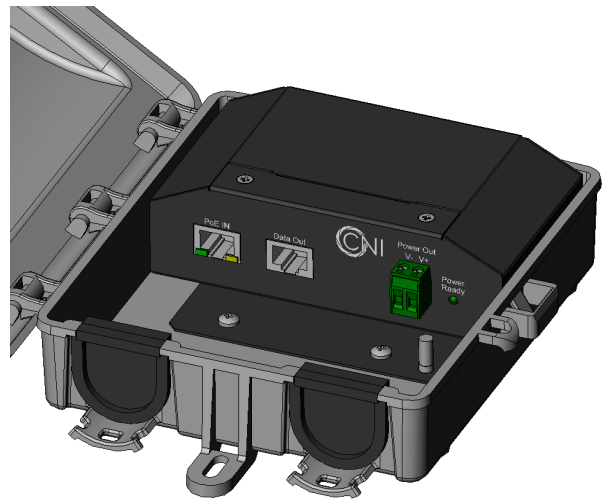


PoE Splitter Install Guide

SA-4642-0001



For Assistance 1-877-369-5499
 techhelp@comtestnetworks.com comtestnetworks.com



Comtest Networks Inc.
 PD-4642-0021 Rev A.0 02-Sept-20

1. Package Contents

Thank you for purchasing Comtest Networks Industrial IEEE 802.3at Gigabit High Power over Ethernet Splitter, SA-4642-0001. Open the box of the Industrial 4-port IEEE 802.3at Gigabit High Power over Ethernet Splitter and carefully unpack it. The box should contain the following items:

- Industrial IEEE 802.3at Gigabit High Power over Ethernet Splitter x 1
- Two-pin terminal block connector x 1

If any of these are missing or damaged, please contact your dealer immediately; if possible, retain the box including the original packaging material, and use them to repack the product in case there is a need to return it to us for repair.

2. Product Features

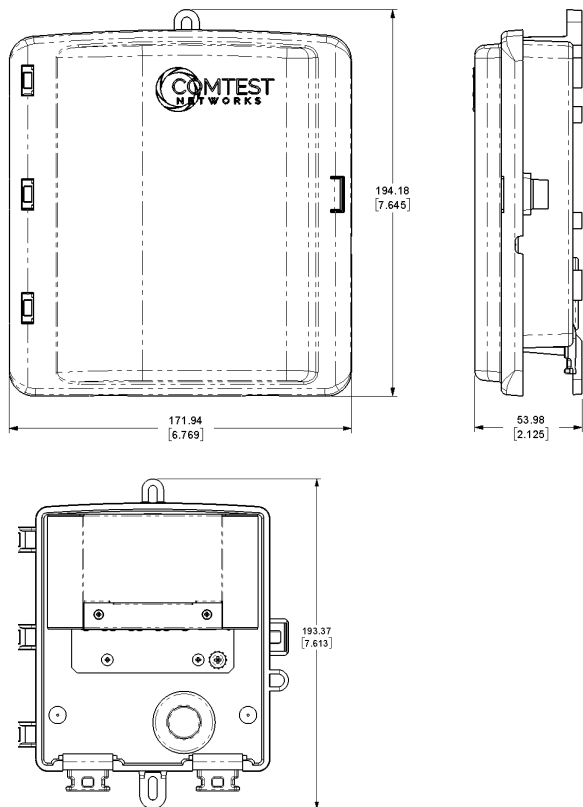
◆ Interface

- 2 RJ-45 interface:
 - **PoE Power + Data** input
 - **Data** output
- Powered DC out (2-pin Terminal Block) [12V DC].
- Ground lug (6 to 14AWG)

◆ Power over Ethernet Splitter

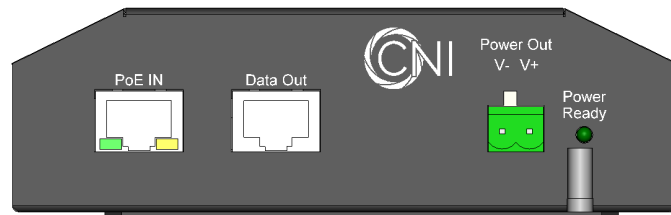
- Complies with IEEE 802.3at Power over Ethernet protocols
- Converts the 48~56V DC power input, over RJ-45 Ethernet cable, into 12V DC output
- A single Power Injector (SA-4641-0001) can be used
- Each Ethernet port is isolated, from a data perspective, and functions as a pass through, for the Ethernet data, while directing the power, from the PoE inputs, to the Power DC out
- Auto-detects if incoming power PoE IEEE 802.3at compliant
- -40 to 75 degrees C operating temperature
- Data Rate: 10/100/1000Mbps

3. Physical Dimensions



- 3 -

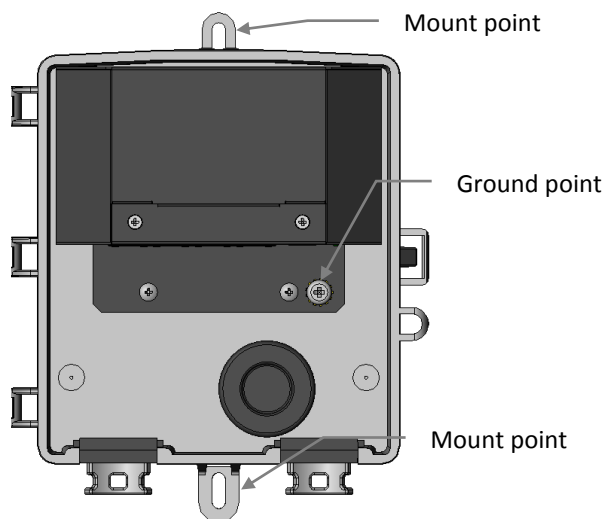
4. Product Outlook



LED	Color	Function
PoE IN	Green	Lights to indicate the port is receiving IEEE 802.3at compliant 48~56V DC in-line power (The yellow LED is not used)
Power Ready	Green	Lights to indicate the units is ready to provide 12V DC power

- 4 -

5. Hardware Installation



◆ Step 1: Mounting SA-4642-0001:

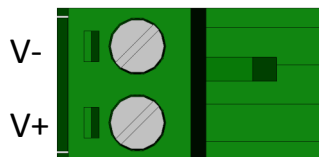
- To wall: use #10 pan head screws
- To pole: Use adjustable strap clamps

◆ Step 2: Attach Ground Wire

- Recommended wire gauge #6 to 14AWG

- 5 -

◆ Step 3: Wiring the Power Output Terminal Block

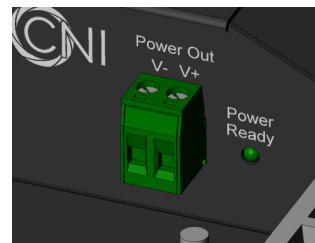


Note: The wire gauge for the terminal block should be in the range of 12 to 22 AWG.

Please check the power requirements of the device, to be attached to the SA-4642-0001, carefully.

1. If the power requirement is higher than the SA-4642-0001 can supply, current overload might shut shown the SA-4642-0001. thus, it will also shut down the device as well.
2. Please ensure the output voltage is correct for your device. Otherwise, it will damage your device.

◆ Step 4: Install terminal block



◆ Step 5: Connect Network Copper Cables

The SA-4642-0001 supports a single Ethernet inputs/connection (with PoE) and single Ethernet (only) output/connection to the ONT.

- 6 -