



Primary Protector Installation Guide

Installation Guidelines

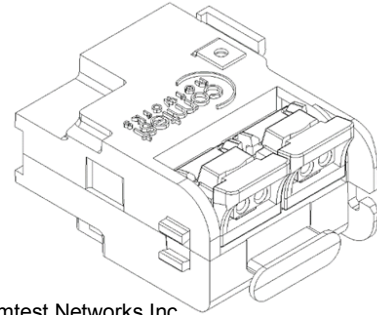
The Primary Protector has two connection types:

- Line in - line coming from the central office.
- Line out - To NID splitter / inside wiring.

⚠ To reduce the risk of fire, use only No. 22 or 24 AWG telecommunication line cord/cable.

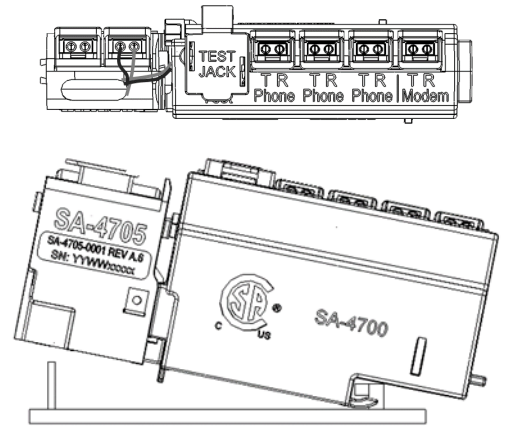
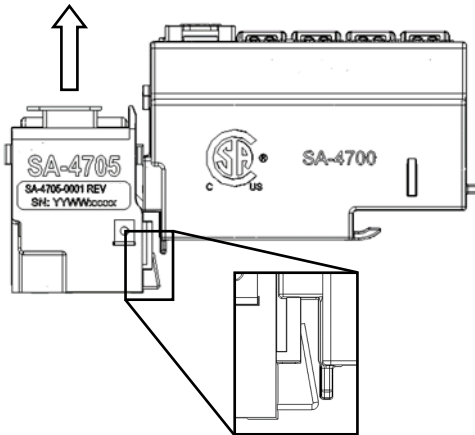
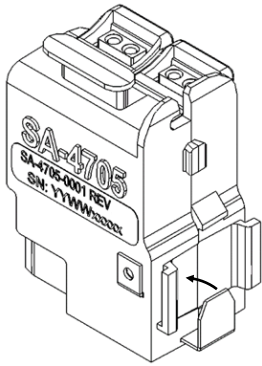
⚠ Insulation displacement connectors [IDC].
Do not strip wires

⚠ If the pair of wires have been previously used, remove used wire section before inserting into the IDC connectors on the Primary Protector.

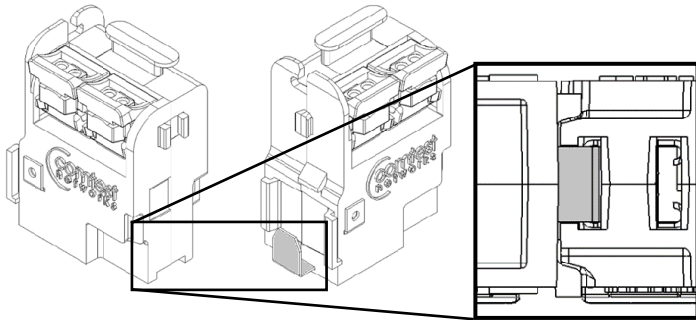


Copyright © 2015, Comtest Networks Inc.

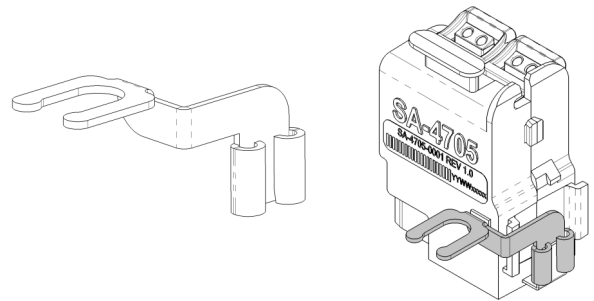
Installation



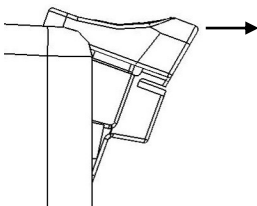
Daisy chain



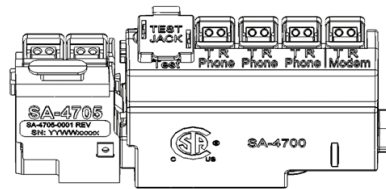
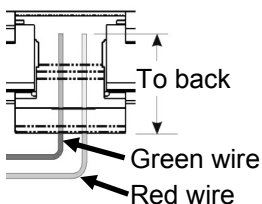
Optional Ground Post Adapter (SA-4705-0011)



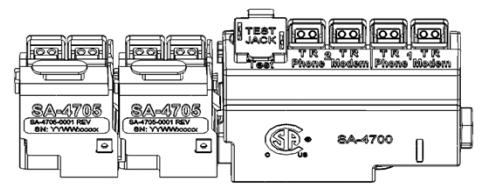
IDC connector



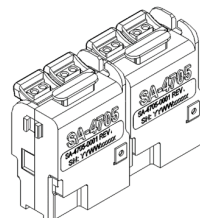
T R



Primary Protector attached to NID-01VTJ



2 Primary Protectors attached to NID-01VFB



2 Primary Protectors daisy chained

For Assistance
techhelp@comtestnetworks.com

1-877-369-5499
www.comtestnetworks.com