

**Installation Guidelines**

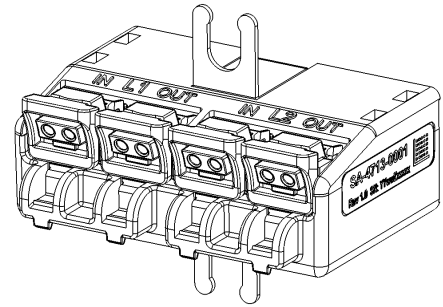
The Dual Primary has three connection types:

- CO** - line coming from the central office.
- CUST** - customer's telephone.
- Test points** - To verify signal connection

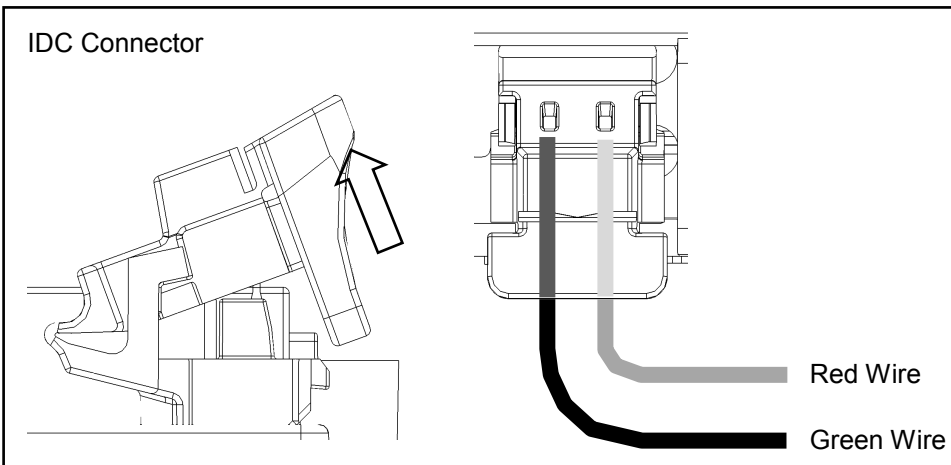
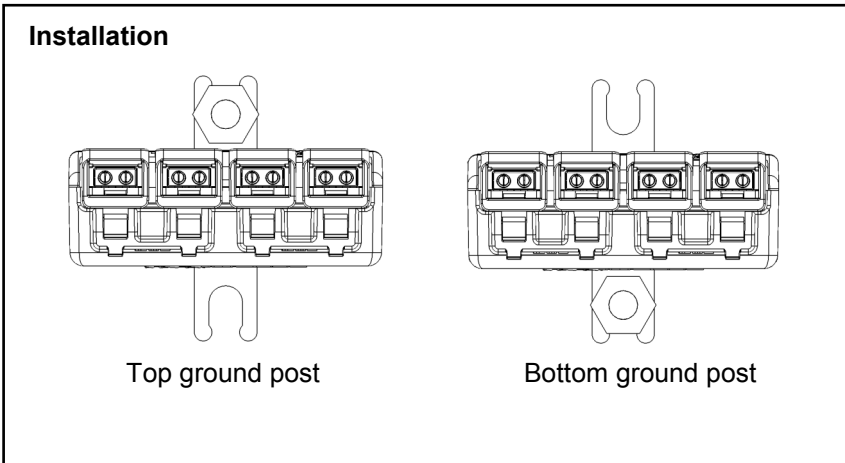
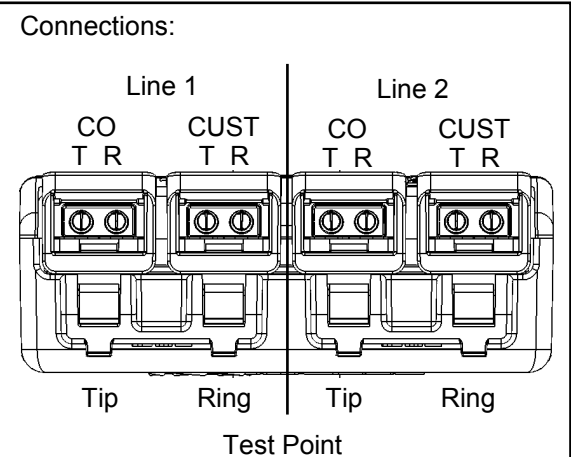
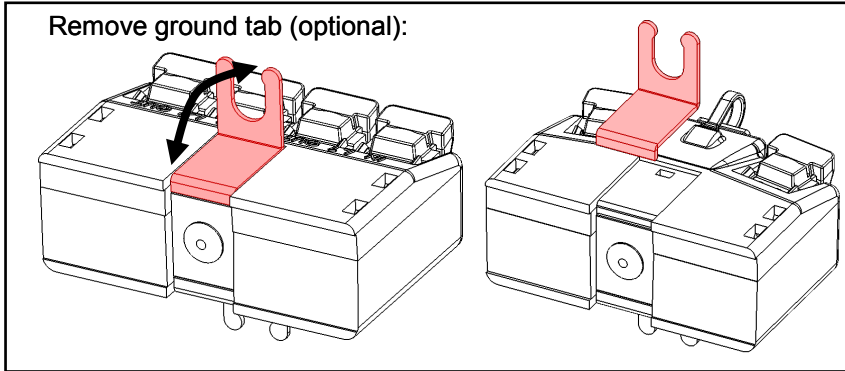
⚠ To reduce the risk of fire, use only No. 26 AWG or thicker gauge telecommunication line cord/cable.

⚠ Insulation displacement connectors [IDC].  
**Do not strip wires**

⚠ If the pair of wires have been previously used, remove used wire section before inserting into the IDC connectors on the Dual Primary.



Copyright © 2020, Comtest Networks Inc.



**For Assistance**                      1-877-369-5499  
 techhelp@comtestnetworks.com    www.comtestnetworks.com